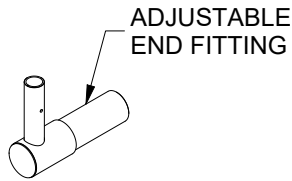


FBGP-720 / FBGP-720C

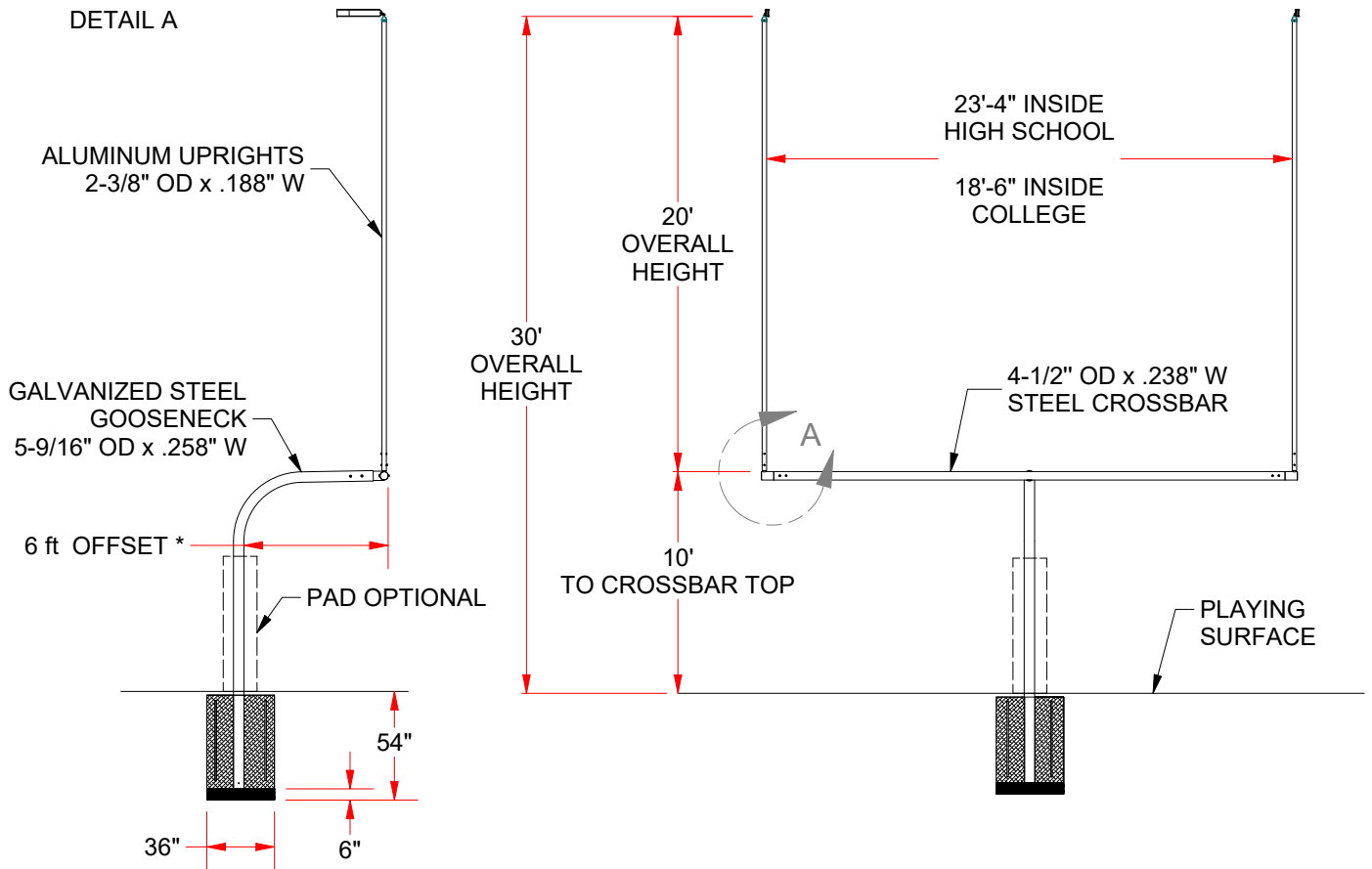
6 ft Offset Steel Football Goal Post for Semi-Permanent and Permanent Installation



DETAIL A

HIGH SCHOOL:
FBGP-720 (WHITE)
FBGP-720YW (YELLOW)

COLLEGE:
FBGP-720C (WHITE)
FBGP-720CYW (YELLOW)



INSTALLATION OPTIONS:

- PERMANENT (SHOWN)
- SEMI-PERMANENT GROUND SLEEVE (FBSLV6)

FEATURES:

- MEETS NFHS AND NCAA REGULATIONS
- ALLOWS FOR PRECISE LEVELING OF CROSSBAR AND PLUMBING OF UPRIGHTS
- ZINC PRIMED WITH STANDARD YELLOW OR WHITE POWDER COATED FINISH
- WIND STREAMERS (WS-42)

OPTIONAL ACCESSORIES:

- NEON YELLOW (PNT-1NY)
- SAFETY PADDING (PPP-700)
- ACCESS FRAME (FBGPAF-1)
- SOCCER GOAL ANCHOR KIT (SFGA-5)

NOT TO BE USED FOR INSTALLATION



FBGP-720 / FBGP-720C

6 ft Offset Steel Football Goal Post for
Semi-Permanent and Permanent Installation

© COPYRIGHT 2021 JAYPRO SPORTS, LLC. ALL RIGHTS RESERVED THIS PRINT IS THE PROPERTY OF JAYPRO SPORTS, LLC. AND MAY NOT BE REPRODUCED WITHOUT WRITTEN PERMISSION

www.jayprosports.com
 (800) 243-0533
 976 Hartford Turnpike
 Waterford, CT 06385 USA

Rev: B

SHEET 1 OF 1